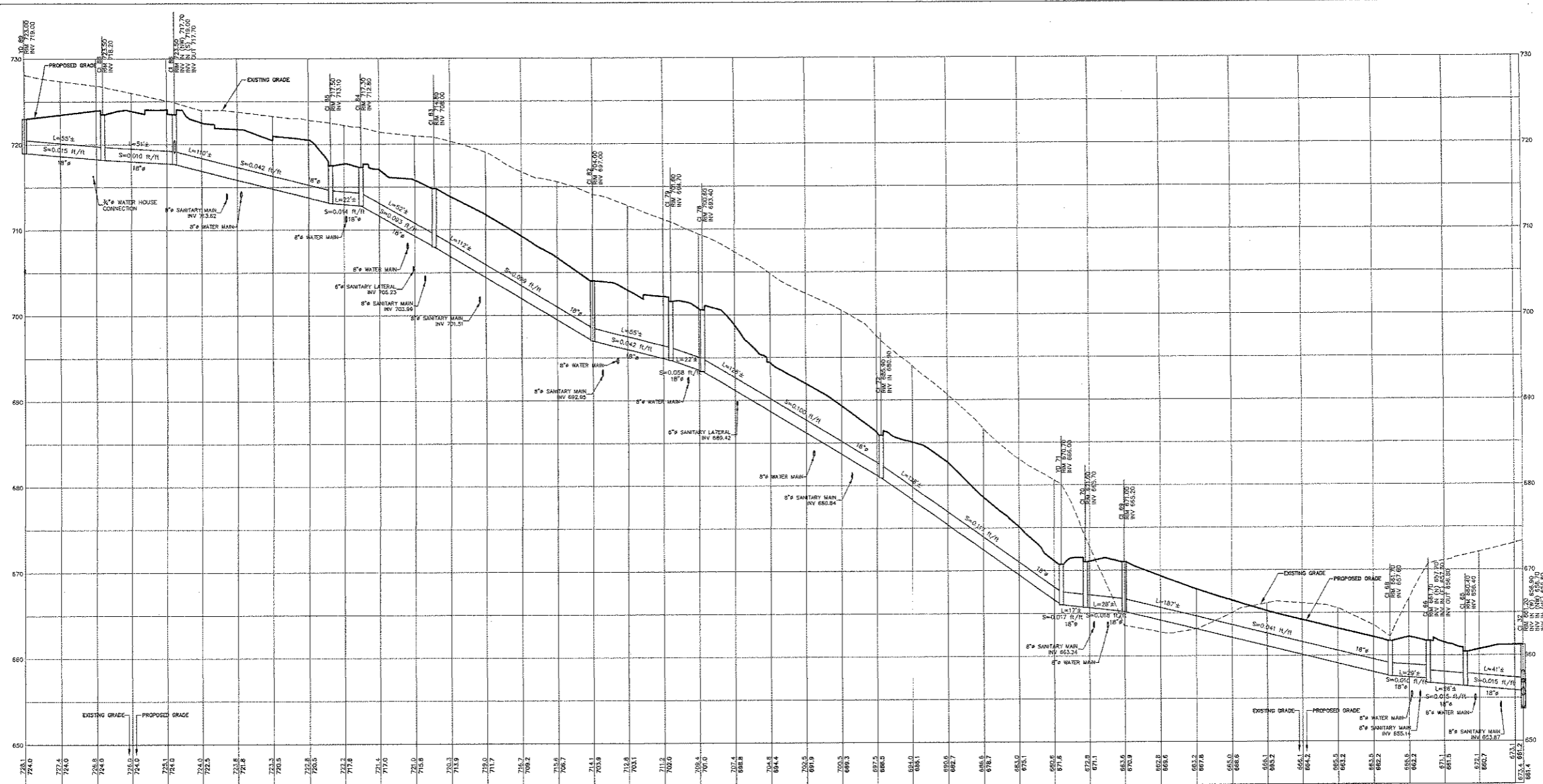
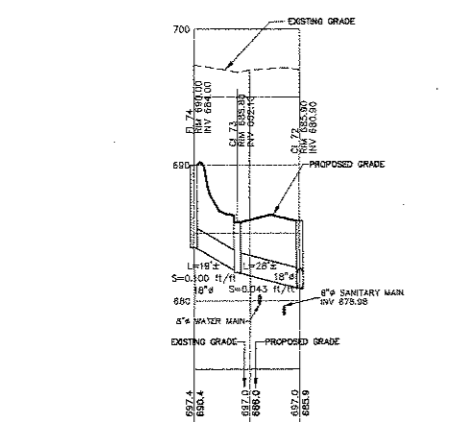


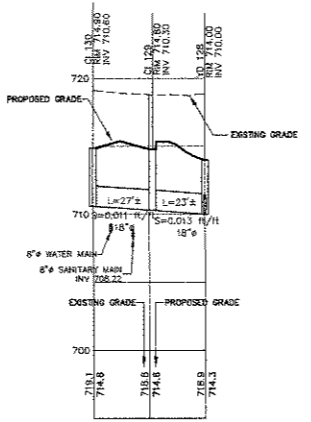
D:\LA\PROJECT\DRAWINGS\SET\95-30 STORM PROF.dwg, 28, 1/15/2008 3:26:01 PM, C:\MSOFT\ACAD\ACAD.PLT, 10.00 x 42.00 (inches), 1:1



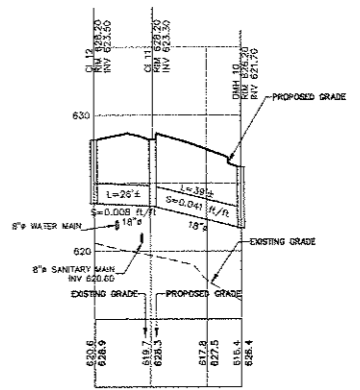
STORM DRAINAGE PROFILE
(YD 89 - CI 32)



STORM DRAINAGE PROFILE
(FI 74 - CI 72)



STORM DRAINAGE PROFILE
(CI 130 - YD 128)



STORM DRAINAGE PROFILE
(CI 12 - DMH 10)

REV.	DESCRIPTION	DATE
0	GENERAL REVISIONS FOR S&S SUBMISSION	9/19/05
5	PER CONSULTANTS COMMENTS & GENERAL REVISIONS	1/27/08



LEONARD JACKSON ASSOCIATES
CORPORATE ENGINEERS
24 FREDRICKS NATIONAL DRIVE, FORT MONROE, NEW YORK 10970
PHONE: (845) 338-1000 FAX: (845) 338-1001

LJA

BAIRD HILL ESTATES
TOWN OF MONROE
ORANGE COUNTY, NEW YORK
STORM DRAINAGE PROFILES (4 OF 6)

Job number: 00046
Drawn by: C.F.L.
Date: 3/15/05
Scale: HORIZ. 1"=30'
VERT. 1"=5'
Drawing Number: 28